

Customization is available
Products and specifications are
subject to be changed without notice

E-EP
Material Handling Solution

CE
ISO9000

T Series
2.0/2.5/3.0T
Diesel/Gasoline



E-P Equipment Co.,LTD
Let's grow together...

www.ep-ep.com

China:
E-P EQUIPMENT CO., LTD
No. 121 YongHua Street, Shi Qiao Road,
Xia Cheng Qu Hangzhou, China
Tel: 86-571-28035676/28035633/28035657/28035653
Fax: 86-571-28035665
Email: info@ep-ep.com

USA:
E-P EQUIPMENT, USA CORP.
1865 E.Main St.
Suite F, Duncan, SC 29334
Tel: 1-864-486-8774
Fax: 1-864-486-8779
Toll Free: 866-373-8722
E-mail: info@ep-ep.com

Japan:
E-P EQUIPMENT JAPAN
#105 2-16-10 Hirao, Inagi-shi
Tokyo 206-0823 Japan
Tel: 81-42-3506422
Fax: 81-42-3506423
E-mail: ep-japan@ep-ep.com

Korea:
E-P EQUIPMENT KOREA
1058-Ra Dong, Buck Yi-Dong, IIsan/Gu,
Koyang/Shi, Kyunggi/Du, Korea
Tel: 82-31-9254100
Fax: 82-31-9254102
E-mail: ep@ep-ep.co.kr

Tiger



EP Forklift Truck-T series



Adjustable Steering Wheel
Steering wheel can be adjusted by a lever on the right-hand side for the most comfortable operator position.



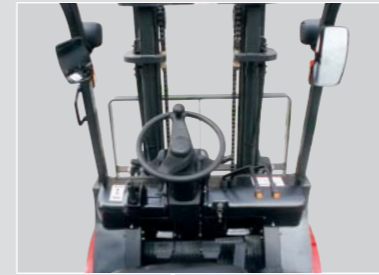
Simple, Small-Stroke F/R Lever
The forward-reverse lever swings through a smaller arc than previous models, meaning less effort and less total time used during this basic, often-performed function.



Automobile-Style Light/Turn-Signal Lever
The automotive influence seen in the T Series extends to the thoughtful use of an automobile-style light and turn-signal lever, with simple actions that let the operator focus on the job.



Wide-Open Operation Space
The area between the foot pedals and the body below the seat is open and free of obstructions that hamper entering and exiting the forklift.



Wide-View Mast
The operator is able to work with increased safety and accuracy due to a wider view mast.



Brake Oil
Easy to check and add brake oil.



Easily-Detached Floor Panel
One-touch removal of the floorboard gets you right to service operations and reduces down-time.



Option
Special carriage and backrest
Other dimension forks
Dual drive wheel with fender
Cabin
Heater and air condition
Dual air cleaner or special air cleaner
Rear working light

Custom color paint
High-mounted exhaust system
Middle-mounted exhaust system
Sideshifter
Other attachment
Lpg fuel system (single, dual)

2.0~2.5t T series mast: (Pneumatic)

Type	Model	Max.fork height	Overall height			Free lift		Front Overhang		Tilt range		Capacity			
			Lowered	Extended		Without backrest	With backrest	2.0t	2.5t	FWD	BWD	Load capacity at 500mm			
				Without backrest	With backrest							Single tire		Double tire	
												2.0t	2.5t	2.0t	2.5t
Wide view 2-stage mast	2W300	3000	1995	3540	4220	120	120	440	440	6	12	2000	2500	2000	2500
	2W330	3300	2145	3690	4370	120	120	440	440	6	12	2000	2500	2000	2500
	2W350	3500	2245	3890	4570	120	120	440	440	6	12	2000	2500	2000	2500
	2W400	4000	2495	4040	4720	120	120	440	440	6	12	1900	2300	2000	2500
	2W450	4500	2745	4290	4970	120	120	440	440	6	6	1700	2000	1900	2400
Full free 2-stage mast	2F300	3000	2050	2590	3270	1460	810	440	440	6	12	2000	2500	2000	2500
	2F330	3300	2200	3840	4520	1610	960	440	440	6	12	2000	2500	2000	2500
Full free 3-stage mast	3F430	4300	1970	4240	4880	1360	730	440	440	6	6	1700	2000	1900	2400
	3F450	4500	2050	5720	5040	1460	810	460	460	6	6	1600	1900	1800	2300
	3F480	4800	2095	6020	5345	1565	915	460	460	6	6	1500	1700	1700	2100
	3F500	5000	2240	6220	5540	1610	960	460	460	6	6	1400	1600	1600	2000
	3F550	5500	2320	6800	6120	1770	1120	460	460	3	6	1050	1200	1500	1800
	3F600	6000	2740	7220	6540	2020	1370	460	460	3	6	700	800	1400	1600

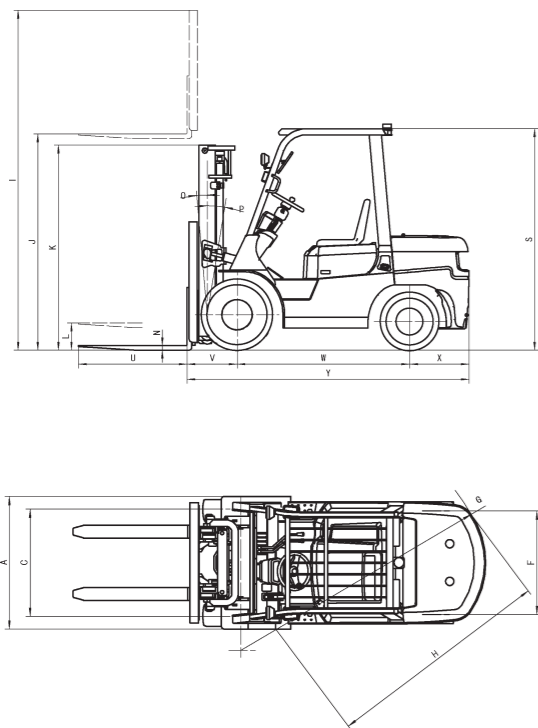
Note: With sideshift minus 150Kg, with integral sideshift minus 100Kg.

3.0t T series mast: (Pneumatic)

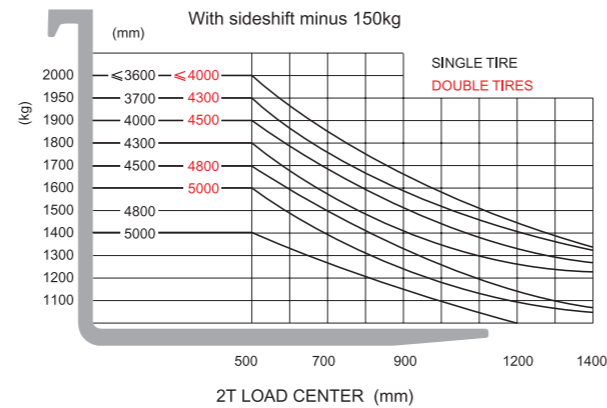
Type	Model	Max.fork height	Overall height			Free lift		Front Overhang		Tilt range		Capacity			
			Lowered	Extended		Without backrest	With backrest	3.0t	FWD	BWD	Load capacity at 500mm				
				Without backrest	With backrest						Single tire		Double tire		
											3.0t	3.0t	3.0t	3.0t	
Wide view 2-stage mast	2W300	3000	2025	3570	4250	120	120	440	440	6	12	3000	3000	3000	3000
	2W330	3300	2145	3690	4370	120	120	440	440	6	12	3000	3000	3000	3000
	2W350	3500	2245	3890	4570	120	120	440	440	6	12	3000	3000	3000	3000
	2W400	4000	2495	4040	4720	120	120	440	440	6	12	2850	3000	2850	3000
	2W450	4500	2745	4290	4970	120	120	440	440	6	6	2550	2850	2550	2850
Full free 2-stage mast	2F300	3000	2080	2620	3300	1460	810	440	440	6	12	3000	3000	3000	3000
	2F330	3300	2230	3870	4550	1610	960	440	440	6	12	3000	3000	3000	3000
Full free 3-stage mast	3F430	4300	2000	5570	4910	1360	730	460	460	6	6	2850	2850	2850	2850
	3F450	4500	2080	5750	5070	1460	810	460	460	6	6	2700	2700	2700	2700
	3F480	4800	2125	6050	5375	1565	915	460	460	6	6	2450	2550	2450	2550
	3F500	5000	2270	6250	5570	1610	960	460	460	6	6	2300	2400	2300	2400
	3F550	5500	2350	6830	6150	1770	1120	460	460	3	6	1800	2250	1800	2250
	3F600	6000	2770	7250	6570	2020	1370	460	460	3	6	1300	2100	1300	2100

Note: With sideshift minus 200Kg, with integral sideshift minus 150Kg.

DIMENSIONS



**LOAD CAPACITY CHART
2-stage mast**



**LOAD CAPACITY CHART
2-stage mast**

