

Tire clamps

Models RA-NE

Bolzon Auramo RA-NE series tire clamps are an excellent choice for handling tires and tire stacks of large diameters.

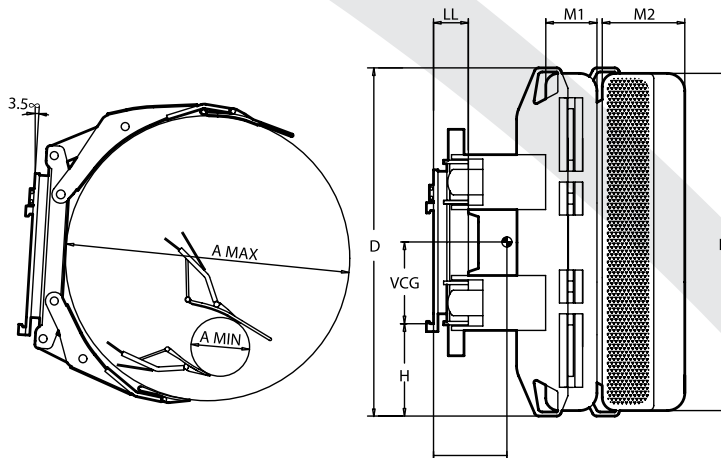
Lifting capacity and opening range can be determined by the customer's need.

RA-NE series tire clamps can handle loads up to 7000 kg. Pivoting arm movement enables a wide opening range of 2500 mm. Short arm is hydraulically positionable.

Well-proven 180-degree rotation with a rack-and-pinion mechanism gives fast and high-torque rotation in both vertical and horizontal positions. Vertical end positions have a hydraulic cushioning.



Tire clamps / Models RA-NE



- Rotating clamp for vertical and horizontal handling of tires and tire stacks
- Pivoting arm movement
- Short and long arms
- Several contact pad options in standard series.
- 180-degree rotation
- Hydraulic cushioning in the vertical positions

Model	Capacity		Roll range	Height	Weight	Centre of gravity (horizontal)	Centre of gravity (vertical)	Effective thickness	Contact pads	Contact pad gap	Mounting height	Mounting
	Q kg	BP mm										
RA-150-NE	1000	650	500-1300	1840	800	315	270	180	250X1800	-	X	2
RA-150-NE	1000	800	500-1600	1640	850	350	350	180	250/140X1800	-	X	2

Note:

Two hydraulic functions.
Standard contact pads: rubber faced.
Larger capacities and opening ranges available on request.
Consult Bolzoni Auramo for details.

For bilge handling, 5-degree forward tilt on upright is required. For 0-degree tilt, special arms are available. Consult Bolzoni Auramo.