

Bale Clamps

Model B-PF



The Bolzoni Auramo B-PF bale clamps are the optimal choice for heavy-duty pulp-bale handling.

The 4000 kg capacity at 800 mm load center and wide choice of frame widths and arm lengths enable easy and efficient handling of one or two bale units.

The thin bale arm design allows tight and fast bale stacking and knifing. Good visibility through the clamp body makes the clamp easier to operate.

Built-in internal sideshift makes driving faster and reduces lift truck manoeuvring.

The aluminum profile frame and T-profile steel arm carriers make the clamp frame light - yet extremely strong.

All Bolzoni Auramo pulp and wastepaper bale clamps come equipped with built-in wear bars mounted on the clamping arms. Several arm options are available.

The arm carrier bearings, made of special plastic, are easily replaceable and require a minimal amount of service and lubrication.

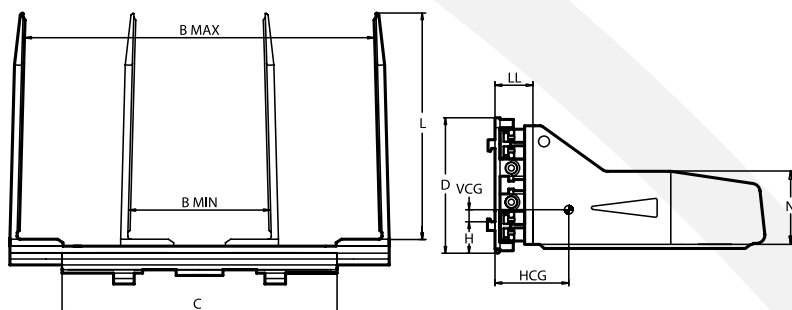
The hydraulic valves are well protected behind the clamp frame.

The B-PF clamps are compatible with all standard industrial lift trucks. ISO 2328 class 3 and 4 mountings as well as special mountings are available.



Pulp Bale Clamps

Models B-PF



- Bale clamp for handling pulp bales.
- Aluminium profile frame, strong T-profile arm carriers.
- **Bolted pulp bale arms. Colourless arm finish.**
- Left arm pivoted.
- Slim and strong arm design ensures easy knifing and tight stacking.
- Built-in integral sideshift improves positioning.

Model	Code	Capacity	Load Centre	Opening Range	Arm Length	Arm Height	Frame Width	Height	Weight	Centre of Gravity Horizontal	Centre of Gravity Vertical	Effective Thickness	Mounting Height	Mounting Class
		kg	mm	B mm	L mm	N mm	C mm	D mm	kg	HCG mm	VCG mm	LL mm	H mm	ISO 2328
B-400PF	12RH1	4000	800	620-2170	1200	445	1400	825	1110	319	x	237	74	3A/4A
B-400PF	14RH1	4000	800	620-2150	1400	445	1400	825	1165	364	x	237	74	3A/4A
B-400PF	16RH1	4000	800	620-2140	1600	445	1400	825	1225	404	x	237	74	3A/4A
B-400PF	12RJ1	4000	800	720-2370	1200	445	1400	825	1130	316	x	237	74	3A/4A
B-400PF	14RJ1	4000	800	720-2350	1400	445	1400	825	1185	360	x	237	74	3A/4A
B-400PF	16RJ1	4000	800	720-2340	1600	445	1400	825	1245	400	x	237	74	3A/4A
B-400PF	12TH1	4000	800	620-2370	1200	445	1600	825	1135	313	x	237	74	3A/4A
B-400PF	14TH1	4000	800	620-2350	1400	445	1600	825	1190	357	x	237	74	3A/4A
B-400PF	16TH1	4000	800	620-2340	1600	445	1600	825	1250	397	x	237	74	3A/4A
B-400PF	12TJ1	4000	800	720-2570	1200	445	1600	825	1155	310	x	237	74	3A/4A
B-400PF	14TJ1	4000	800	720-2550	1400	445	1600	825	1210	353	x	237	74	3A/4A
B-400PF	16TJ1	4000	800	720-2540	1600	445	1600	825	1270	393	x	237	74	3A/4A
B-400PF	12UH1	4000	800	620-2470	1200	445	1700	825	1150	309	x	237	74	3A/4A
B-400PF	14UH1	4000	800	620-2450	1400	445	1700	825	1205	352	x	237	74	3A/4A
B-400PF	16UH1	4000	800	620-2440	1600	445	1700	825	1265	392	x	237	74	3A/4A
B-400PF	12UJ1	4000	800	720-2670	1200	445	1700	825	1175	305	x	237	74	3A/4A
B-400PF	14UJ1	4000	800	720-2650	1400	445	1700	825	1230	348	x	237	74	3A/4A
B-400PF	16UJ1	4000	800	720-2640	1600	445	1700	825	1290	387	x	237	74	3A/4A
B-400PF	12VH1	4000	800	620-2570	1200	445	1800	825	1175	303	x	237	74	3A/4A
B-400PF	14VH1	4000	800	620-2550	1400	445	1800	825	1230	346	x	237	74	3A/4A
B-400PF	16VH1	4000	800	620-2540	1600	445	1800	825	1290	385	x	237	74	3A/4A
B-400PF	12VJ1	4000	800	720-2770	1200	445	1800	825	1200	300	x	237	74	3A/4A
B-400PF	14VJ1	4000	800	720-2750	1400	445	1800	825	1250	342	x	237	74	3A/4A
B-400PF	16VJ1	4000	800	720-2740	1600	445	1800	825	1310	381	x	237	74	3A/4A

Two hydraulic functions. Special opening ranges, arm lengths and arm finishes on request.
External sideshift available. Independent arm movement extra.